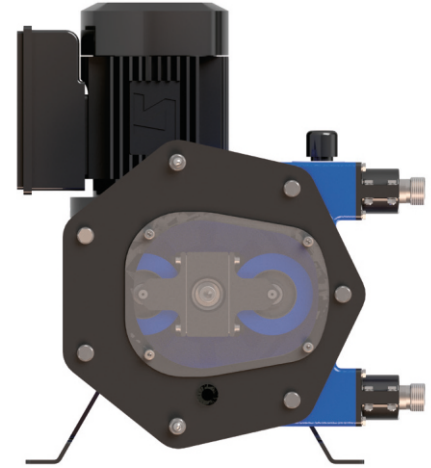
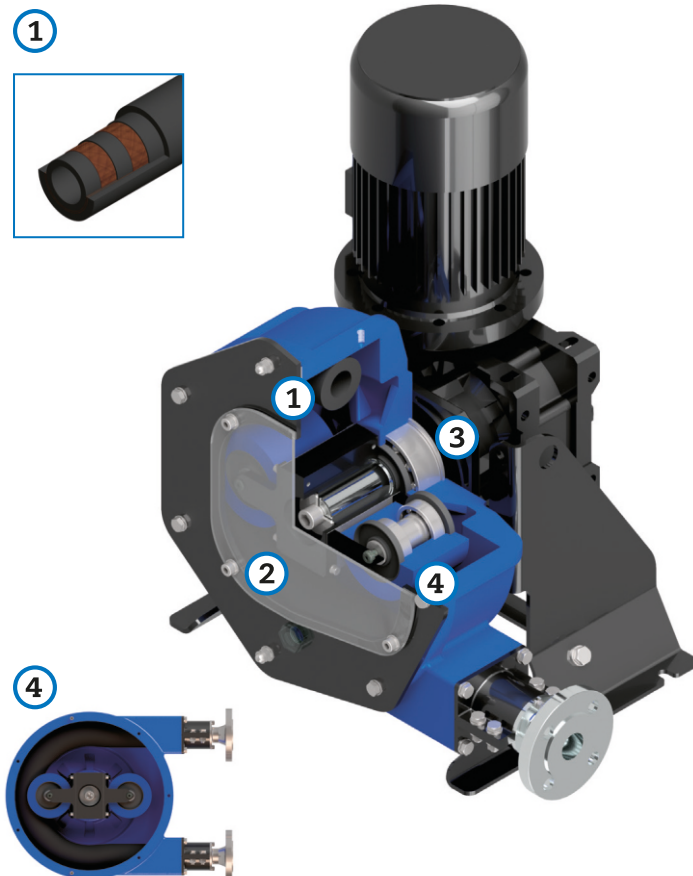


# PERIBEST I12 DATASHEET

TECHNICAL SPECIFICATIONS	MODEL I12
Max. Flow (continuous)	205 l/h
Capacity	0,043 l/rev
Max. Discharge Pressure	10 bar
Max. Temperature	80 °C
Inner Diameter	13 mm.
Hose material	NR, EPDM and NBR (Food Grade)
Connections material	AISI-316, PP, PVDF (PTFE)
Pump casing material	Aluminium (powder coated)
Rollers material	Hard aluminium (Anodized)



## MAIN FEATURES AND BENEFITS



### 1 LATEST TECHNOLOGY PERISTALTIC HOSE.

SAVING ON HOSE CONSUMPTION AND EASE OF INSTALLATION DOWNTIME OPTIMISATION.

### 2 EASE OF ASSEMBLY, OPERATION AND MAINTENANCE.

SAVING ON MAINTENANCE COSTS AND EASE OF ASSEMBLY. LESS DOWNTIME.

### 3 EXTREMELY HEAVY DUTY DESIGN FOR THE MOST DEMANDING APPLICATIONS UP TO 10 BAR.

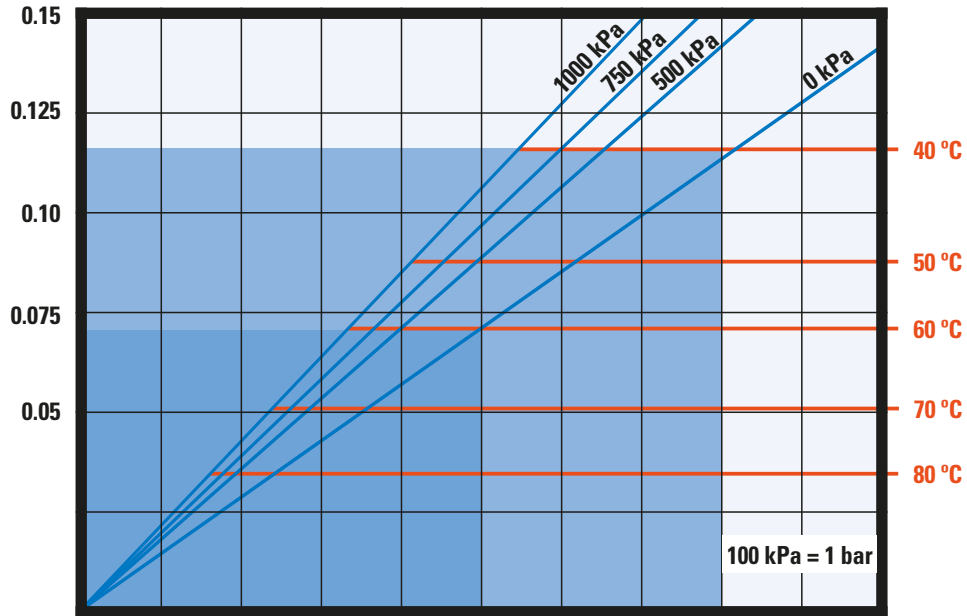
UNMATCHED PUMP LIFE AND EXCELLENT EQUIPMENT PERFORMANCE UNDER ANY OPERATING CONDITIONS HOWEVER DEMANDING.

### 4 XXL ROLLER TECHNOLOGY.

MAJOR ENERGY SAVINGS, HIGHER NUMBER OF HOSE WORKING HOURS AND EASE OF OPERATION.

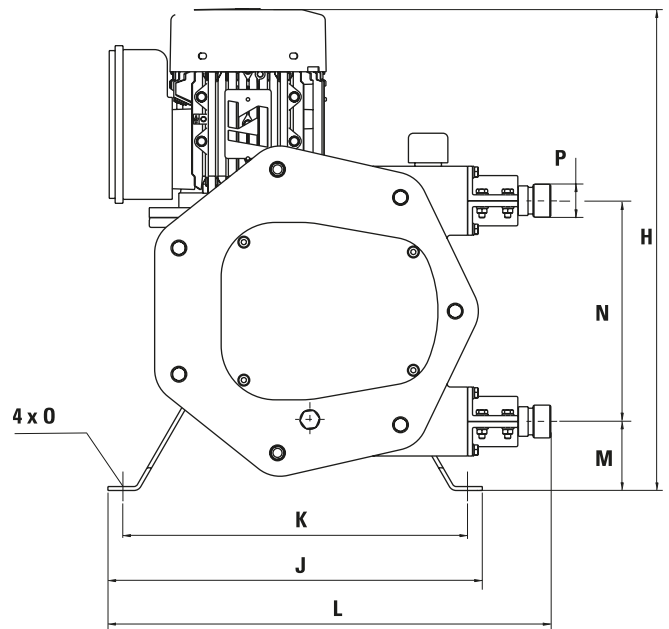
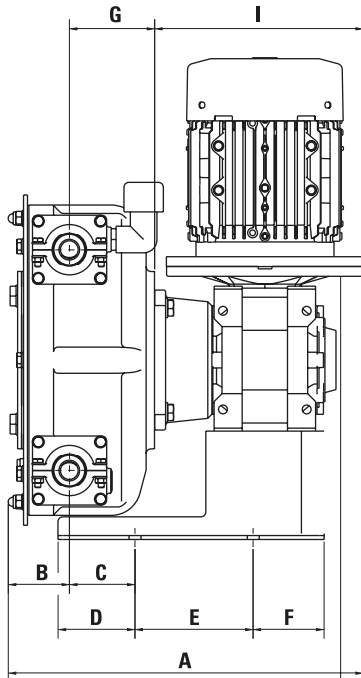
**REQUIRED  
MOTOR POWER (KW)**

**PRODUCT  
TEMPERATURE (°C)**



<b>PUMP SPEED (RPM)</b>	10	20	30	40	50	60	70	80	90	100
<b>CAPACITY (L/H)</b>	26	52	77	103	129	155	181	206	232	258

<b>PRESSURE (kPa)</b>	0 kPa	500 kPa	750 kPa	1000 kPa
<b>TORQUE (Nm)</b>	14	17	19	22



MODEL	A*	B	C	D	E	F	G	H	I*	J	K	L	M	N	O	P
<b>I12</b>	240,3	47,5	50	54,3	80	32,8	55,8	367	137	265	235	305	62	116	12	BSP 3/8"

\*Depending on the driver, dimensions could change.